

MARSHALL



2024

DATA SHEET

MARSHALL BLACKBOX with Meter EM530

Marshall BlackBox (Marshall-BB-23-1)

Information about Marshall BlackBox



Product Overview

Chip	Broadcom BCM2711
Core architecture	64-bit ARM architecture
CPU	Quad core 64-bit ARM-Cortex A72 running at 1.5GHz
GPU	VideoCore VI 3D GPU
Memory	LPDDR4-3200 SDRAM (2GB or 4GB)
Operating System	Boots from Micro SD Card
	Linux operating system

Specification

Communication Interfaces

LAN 1x Gigabit Ethernet port

USB 2x USB2 Ports

2x USB3 Ports

Connectivity Ethernet/Wifi

Optional RS485

Communications Protocols MODBUS

Data Login Specifications

Data Polling Rate Dynamic

External Power Supply (Included)

Input Voltage 230 VAC

Input Frequency 50 Hz

Output Voltage 5 VDC

Output Current 3A

Mechanical Parameters

Dimensions 370 × 200 × 100 mm

Mounting System DIN Rail

IP IP68

Environment Parameters

Operating Temperature 0C to 40C

Meter (GRID)	EM530
Model	ZECO
Phase	1,2,3
Connection	RS 485
CT	CT Ratio (2000 Max) Rated Current: 5A

Compliant Products

Inverters, Batteries, and EV Chargers

Inverters

SMA

* STP 12-50 (AS4777-2 2020)

* STP 25-50 (AS4777-2 2020)

* STP 15-50 (AS4777-2 2020)

* STP 50-41 (AS4777-2 2020)

* STP 20-50 (AS4777-2 2020)

* STP 110-60 (AS4777-2 2020)

Batteries

DELTA

BX6.3

EV Chargers

DELTA

Delta AC Max Smart

Delta AC Max Basic (Only applicable if an inverter is not on the site)

* Dynamic Export Compatible Products

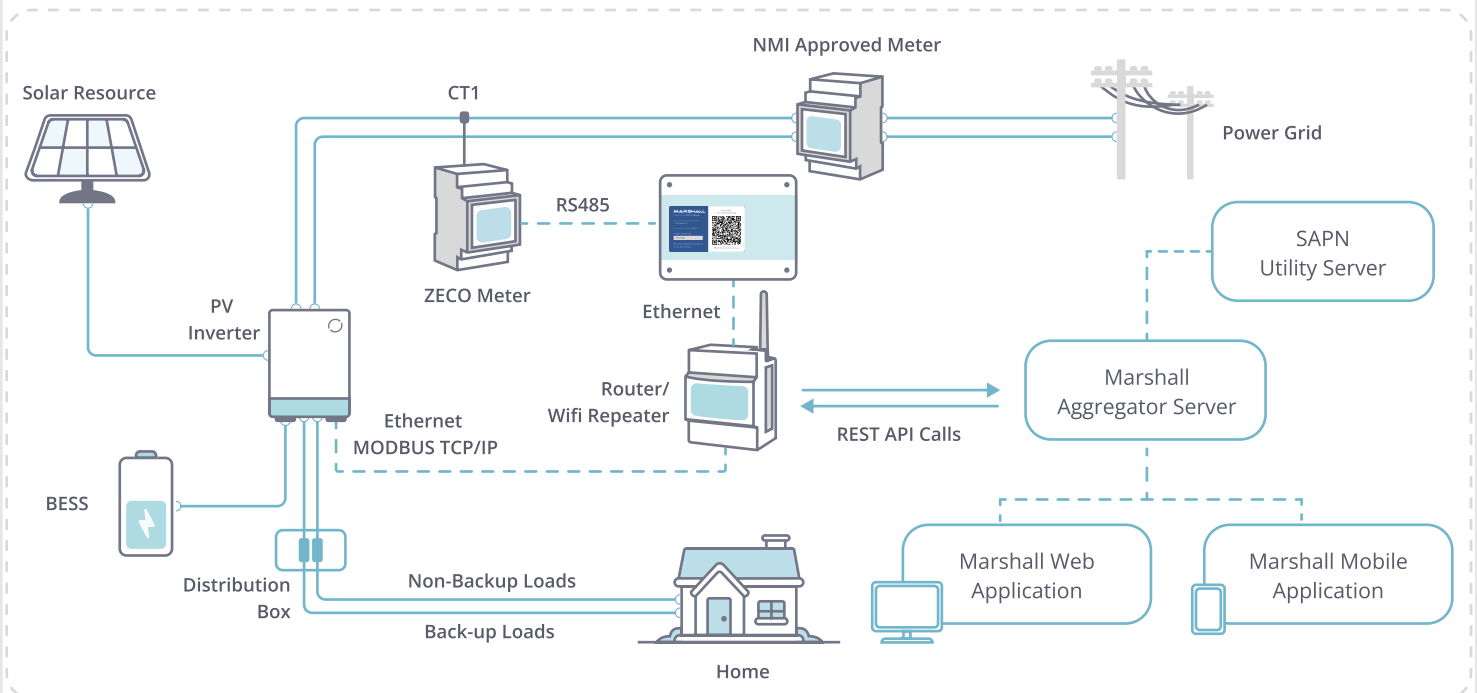
Dynamic Export Control Approved Networks

South Australia Power Networks

SA Power Networks **Empowering South Australia**
SAPN Accredited

Energy Queensland
ENERGYQ Accredited

Configuration Diagrams



✉ sales@zeco.au

🌐 www.datamarshall.au

☎ 03 4050 9326

MARSHALL

datamarshall.au

03 4422 4455

support@datamarshall.au

ZECO Energy

6C/148 Chesterville Road,
Moorabbin
VIC Australia 3189

A.B.N 16 111 222 456